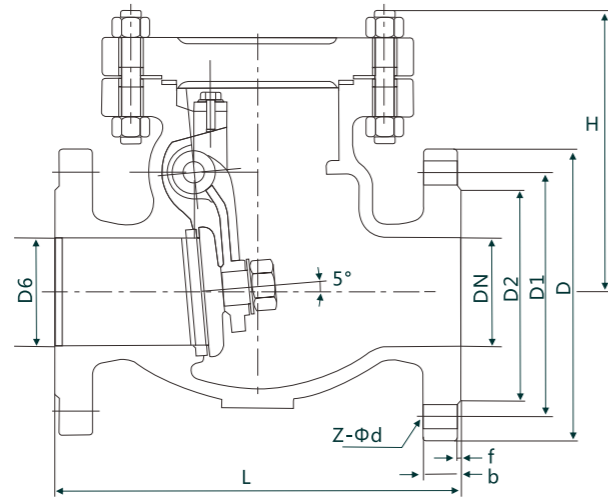


H44W-16C/P/R



**standard**

Design and manufacture according to GB/T12236  
 Structure length according to GB/T12221  
 Flange connection size according to JB/T79  
 Inspection according to JB/T9092

**Test pressure**

A pilot project	Shell test	Sealing test	Upper seal test	Gas seal test
medium	water			Gas Air
unit	MPa	MPa	MPa	MPa
Nominal pressure	1.6	2.4	1.8	1.8
	2.5	3.8	2.8	2.8
	4.0	6.0	4.4	4.4
	6.4	9.6	7.0	7.0
	10.0	15.0	11.0	11.0
16.0	24.0	18.0	18.0	0.5~0.7

**Main parts and materials**

The name of the	material								
Body/bonnet	CF8	CF3	CF8M	CF3M	WCB	LCB	WC6	WC9	C5
The disc	CF8	CF3	CF8M	CF3M	WCB	LCB	WC6	WC9	C5
gasket	PTFF				graphite				
bolt	Stainless steel				35CrMoA				
nut	Stainless steel				45, 35CrMoA				

**Main connection size**

model	Nominal diameter	size							
		L	D	D1	D2	D6	b-f	z-Φd	H
H44W-16 H Y	20	150	105	75	55		14-2	4-Φ14	100
	25	160	115	85	65		14-2	4-Φ14	100
	32	180	135	100	78		16-2	4-Φ18	105
	40	200	145	110	85		16-3	4-Φ18	115
	50	230	160	125	100		16-3	4-Φ18	135
	65	290	180	145	120		18-3	4-Φ18	140
	80	310	195	160	135		20-3	8-Φ18	145
	100	350	215	180	155		20-3	8-Φ18	165
	125	400	245	210	185		22-3	8-Φ18	250
	150	480	280	240	210		24-3	8-Φ23	295
	200	550	335	295	265		26-3	12-Φ23	315
	250	650	405	355	320		30-3	12-Φ25	430
	300	750	460	410	375		30-4	12-Φ25	480
	350	850	520	470	435		34-4	16-Φ25	500
	400	950	580	525	485		36-4	16-Φ30	520
450	1050	640	585	545		40-4	20-Φ30	580	
500	1150	705	650	608		44-4	20-Φ34	630	
600	1350	840	770	718		48-5	20-Φ41	780	
H44W-25 H Y	20	150	105	75	55		16-2	4-Φ14	100
	25	160	115	85	65		16-2	4-Φ14	100
	32	180	135	100	78		18-2	4-Φ18	105
	40	200	145	110	85		18-3	4-Φ18	115
	50	230	160	125	100		20-3	4-Φ18	135
	65	290	180	145	120		22-3	8-Φ18	140
	80	310	195	160	135		22-3	8-Φ18	145
	100	350	230	190	160		24-3	8-Φ23	165
	125	400	270	220	188		28-3	8-Φ25	250
	150	480	300	250	218		30-3	8-Φ25	295
	200	550	360	310	278		34-3	12-Φ25	315
	250	650	425	370	332		36-3	12-Φ30	430
	300	750	485	430	390		40-4	16-Φ30	480
	350	850	550	490	448		44-4	16-Φ34	500
	400	950	610	550	505		48-4	16-Φ34	520
450	1050	660	600	555		50-4	20-Φ34	580	
500	1150	730	660	610		52-4	20-Φ41	630	
600	1350	840	770	718		56-5	20-Φ41	780	
H44W-40 H Y	20	150	105	75	55	51	16-2	4-Φ14	100
	25	160	115	85	65	58	16-2	4-Φ14	100
	32	180	135	100	78	66	18-2	4-Φ18	105
	40	200	145	110	85	76	18-3	4-Φ18	115
	50	230	160	125	100	88	20-3	4-Φ18	135
	65	290	180	145	120	110	22-3	8-Φ18	140
	80	310	195	160	135	121	22-3	8-Φ18	145
	100	350	230	190	160	150	24-3	8-Φ23	165
	125	400	270	220	188	176	28-3	8-Φ25	250
	150	480	300	250	218	204	30-3	8-Φ25	295
	200	550	375	320	282	260	38-3	12-Φ30	315
	250	650	445	385	345	313	42-3	12-Φ34	430
	300	750	510	450	408	364	46-4	16-Φ34	480
	350	850	570	510	465	422	52-4	16-Φ34	500
	400	950	655	585	535	474	58-4	16-Φ41	520
450	1050	680	610	560	524	60-4	20-Φ41	580	
500	1150	755	670	612	576	62-4	20-Φ48	630	
600	1350	890	795	730	678	62-5	20-Φ54	780	