

Daily filter

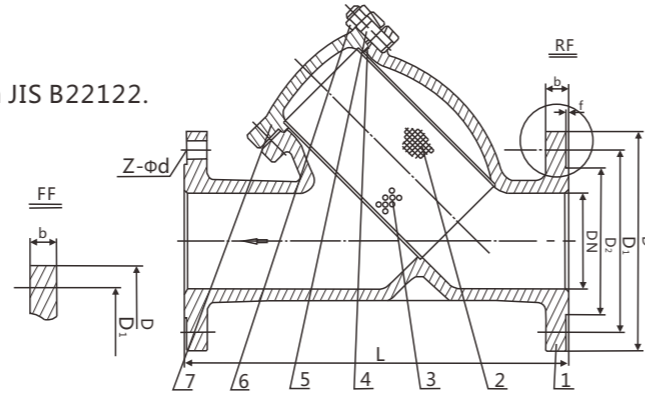
Product overview

The daily standard filter is an indispensable device in the pipeline series of conveying medium. Usually installed in the pressure relief valve, pressure relief valve, constant water valve or other equipment at the entrance. Used to eliminate impurities in the medium to protect the normal operation of valves and equipment. The filter has the advantages of advanced structure, small resistance and convenient sewage discharge. Applicable media can be water, oil, gas.

Can be made according to user's requirements, the outside type is basically the same (Y type), all the internal parts are made of stainless steel, durable. When cleaning is required, simply remove the detachable cartridge and remove the impurities filtered out. After quality, reload can be, use and maintenance is very convenient. The filter is small in shape, fine filter, small resistance, high effect, convenient installation and maintenance, low cost, and sewage short time, for the general small model, only 5-10 minutes. The general water network is 18-30 mesh/cm², ventilation mesh 40-100 mesh/cm², The oil network is 100-300 mesh/cm².

The technical requirements

1. Manufacture and acceptance according to JIS B2074.
2. The flange connection of the valve is in accordance with JIS B22122.
3. The valve length is in accordance with JIS B2002(20).



The performance specification

Nominal pressure PN	Strength test pressure PS	Seal test pressure PS		Operating temperature °C	Pressure of work	
10K	1.5MPa	water	gas	≤200°C	20MPa	1.1MPa
		1.1MPa	6MPa			
Applicable medium: water, oil and general corrosive medium						

				SY41W-10K Japanese standard Y-type filter			Technical parameters and structure drawing		
				Pattern marker	kg	proportion	SY41W-10K-00		
				totalPage	first page				

The date of	The signature	Total reproduction number	General number of old base drawing	Tracing the school	description	Registration of borrowed (general) items

serial number	Names and Specifications	material
1	The machine body	A351 CF8 F304
2	Filter (specification: mesh according to user requirements)	ASTM F304
3	Inner grid frame (φ 5 full cloth)	A351 F304
4	gasket	PTFE
5	bolt	A351 F304
6	nut	ASTM F304
7	cover	A351 CF8 F304

Main external dimensions and connection dimensions

DN	L	D	D ₁	D ₂	f	b	Z-φd
15	108	95	70	51	1	12	4-15
20	117	100	75	56	1	14	4-15
25	127	125	90	67	1	14	4-19
32	140	135	100	76	2	16	4-19
40	165	140	105	81	2	16	4-19
50	203	155	120	96	2	16	4-19
65	216	175	140	116	2	18	4-19
80	241	185	150	126	2	18	8-19
100	292	210	175	151	2	18	8-19
125	330/356	250	210	182	2	20	8-23
150	356/406	280	240	212	2	22	8-23
200	495	330	290	262	2	22	8-23
250	622	400	355	324	2	24	12-25
300	698	445	400	368	3	24	16-25