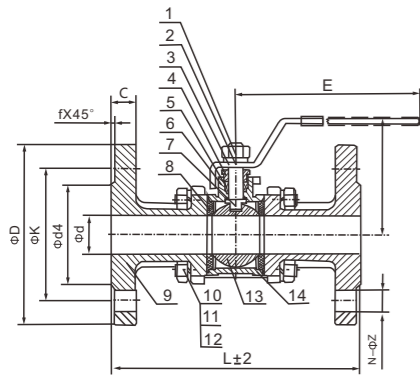


LTMV-19-20 SIZE: 1/2"~4"



Dimensions DIN PN16 (LTMV-19)

size	L	d4	K	D	C	f	N-Z	H	E
15 1/2"	130	45	65	95	14	2	4-14	60	115
20 3/4"	150	58	75	105	16	2	4-14	64	125
25 1"	160	68	85	115	16	2	4-14	74	150
32 1-1/4"	180	78	100	140	16	2	4-18	82	160
40 1-1/2"	200	88	110	150	16	3	4-18	99	190
50 2"	230	102	125	165	18	3	4-18	105	200
65 2-1/2"	290	122	145	185	18	3	4-18	120	265
80 3"	310	138	160	200	18	3	8-18	135	300
100 4"	350	158	180	220	20	3	8-18	157	300

Dimensions DIN PN16 (LTMV-20)

size	L	d4	K	D	C	f	N-Z	H	E
15 1/2"	130	45	65	95	16	2	4-14	60	115
20 3/4"	150	58	75	105	18	2	4-14	64	125
25 1"	160	68	85	115	18	2	4-14	74	150
32 1-1/4"	180	78	100	140	18	2	4-18	82	160
40 1-1/2"	200	88	110	150	18	3	4-18	99	190
50 2"	230	102	125	165	20	3	4-18	105	200
65 2-1/2"	290	122	145	185	22	3	8-18	120	265
80 3"	310	138	160	200	24	3	8-18	135	300
100 4"	350	162	190	235	24	3	8-22	157	300

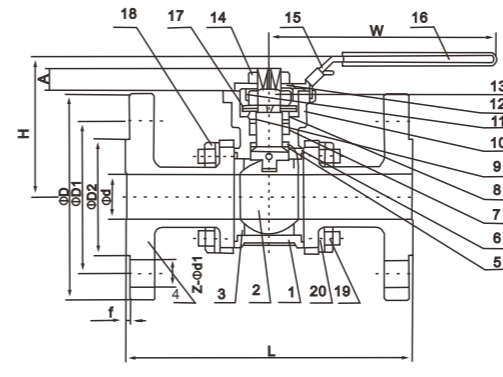
describe

1. Maximum pressure :PN16 / Pn40
 2. Complete process
 3. Material :SS304 (CF8, SUS304, 1.4308),SS316 (1.4408 CF8M, SUS316)
 4. Incestment cast the body
 5. Blowout proof stem
 6. Antistatic device (optional)
 7. Operation: Manual (lock handling available)
 8. DIN pn16 and Pn40
- Design: EN1983 EN12516-1
 Flange dimensions :DIN 2633 & DIN 2635/DIN2543-2545
 Face to face: DIN3202-F1EN558-1
 Inspection and Test :DIN3230 EN12266-1

Main material

NO.	Part name	material
1	nut	SS304/SS316
2	Spring washer	SS304/SS316
3	The handle	SS201/SS304
4	The gland nut	SS304/SS316
5	packing	PTFE
6	The valve stem	SS304/SS316
7	Thrust washer	PTFE
8	The seat	PTFE/RPTFE
9	hat	CF8/CF8M
10	nut	SS304/SS316
11	Thrust washer	SS304/SS316
12	bolt	SS304
13	The ball	SS304/SS316
14	The valve body	CF8/CF8M

LTMV-19-20 SIZE: 1/2"~4"



Dimensions DIN PN16 (LTMV-36)

Nominal diameter	L	D2	D1	D	C	f	z-d1	H	W	ISO5211
15 1/2"	130	45	65	95	14	2	4-14	84	146	F03-F04
20 3/4"	150	58	75	105	14	2	4-14	87	146	F03-F04
25 1"	160	68	85	115	14	2	4-14	93	153	F04-F05
32 1-1/4"	180	78	100	140	16	2	4-18	99	153	F04-F05
40 1-1/2"	200	88	110	150	16	3	4-18	114	217	F05-F07
50 2"	230	102	125	165	16	3	4-18	122	217	F05-F07
65 2-1/2"	290	122	145	185	18	3	4-18	150	251	F07-F10
80 3"	310	138	160	200	20	3	8-18	161	251	F07-F10
100 4"	350	158	180	220	20	3	8-18	180	291	F07-F10

Dimensions DIN PN40 (LTMV-38)

Nominal diameter	L	D2	D1	D	C	f	z-d1	H	W	ISO5211
15 1/2"	130	45	65	95	16	2	4-14	84	146	F03-F04
20 3/4"	150	58	75	105	18	2	4-14	87	146	F03-F04
25 1"	160	68	85	115	18	2	4-14	93	153	F04-F05
32 1-1/4"	180	78	100	140	18	2	4-18	99	153	F04-F05
40 1-1/2"	200	88	110	150	18	3	4-18	114	217	F05-F07
50 2"	230	102	125	165	20	3	4-18	122	217	F05-F07
65 2-1/2"	290	122	145	185	22	3	8-18	150	251	F07-F10
80 3"	310	138	160	200	24	3	8-18	161	251	F07-F10
100 4"	350	162	190	235	24	3	8-22	180	291	F07-F10

describe

1. Maximum pressure :Pn16
 2. Complete process
 3. Material :SS304 (CF8, SUS304, 1.4308),SS316 (1.4408 CF8M, SUS316)
 4. Incestment cast the body
 5. Blowout proof stem
 6. Antistatic device (optional)
 7. Operation: Manual (lock handling available)
 8. DIN pn16 and Pn40
- Design: EN1983 EN12516-1
 Flange dimensions :DIN 2633 & DIN 2635/DIN2543-2545
 Face to face: DIN3202-F1EN558-1
 Inspection and Test :DIN3230 EN12266-1

Main material

serial number	Part name	material	serial number	Part name	material
1	A sphere	CF8/CF8M	11	Valve"	SS304
2	The ball	SS304	12	Spring washer	SS304
3	tee	PTFE/RPTFE	13	The valve stem	SS304/SS316
4	The ball cap	CF8/CF8M	14	nut	SS304
5	Thrust washer	PTFE	15	The handle	SS201/SS304
6	Valve cover gasket	PTFE	16	The handle bar	PLASTIC
7	o-rings	VITON	17	The gasket	SS304
8	Stem packing	PTFE	18	bolt	SS304
9	gland	SS304/SS316	19	nut	SS304
10	Lock washer with	SS304	20	Spring washer	SS304