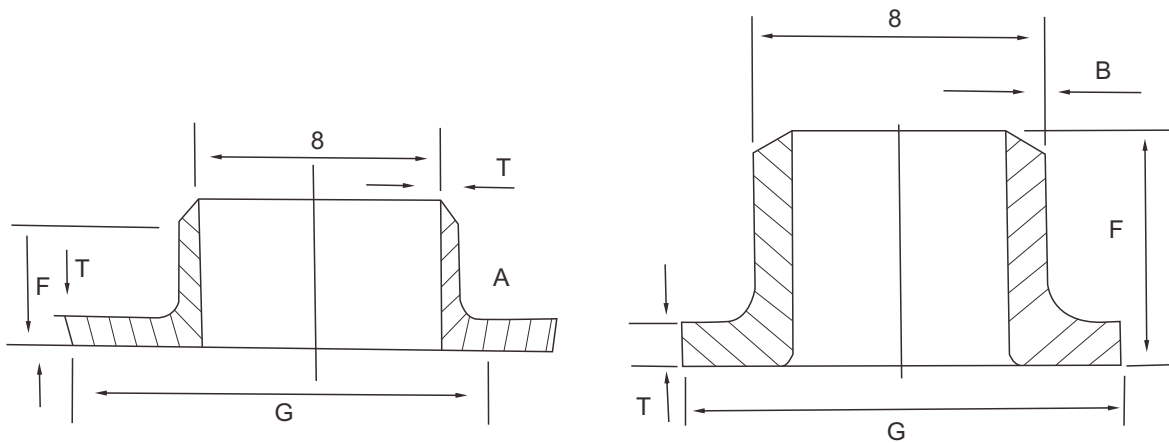


# The flange joint



## MSSSP-43, ANSI B16.9 Lap Joint Stub End

size		Outside diameter	The length of the		The width of the The minimum value & The maximum	radius		Kg/PCS					
diam eter	inches		MSS	ANSI		A	B	Sch5s		Sch10s		Sch40s	
						maximum	minimum value	standard	standard	standard	standard		
15	1/2	21.3	50.8	76.2	35.1	3	0.75	0.049	0.067	0.062	0.084	0.079	0.106
20	3/4	26.7	50.8	76.2	42.9	3	0.75	0.064	0.087	0.081	0.109	0.101	0.144
25	1	33.4	50.8	101.6	50.8	3	0.75	0.082	0.144	0.134	0.233	0.160	0.279
32	1 1/4	42.4	50.8	101.6	63.5	5	0.75	0.109	0.188	0.178	0.307	0.225	0.386
40	1 1/2	48.3	50.8	152.4	73.2	6	0.75	0.129	0.219	0.213	0.358	0.279	0.467
50	2	60.3	63.5	152.4	91.9	8	0.75	0.204	0.406	0.338	0.667	0.471	0.924
65	2 1/2	73	63.5	152.4	104.6	8	0.75	0.313	0.626	0.448	0.893	0.740	1.465
80	3	88.9	63.5	152.4	127	10	0.75	0.400	0.781	0.574	1.117	1.01	1.954
90	3 1/2	101.6	76.2	152.4	139.7	10	0.75	0.522	0.896	0.650	1.283	1.38	2.35
100	3 1/2	114.3	76.2	203.2	157.2	11	0.75	0.606	1.024	0.870	1.474	1.68	2.822
125	5	141.3	76.2	203.2	185.7	11	1.5	0.985	2.153	2.21	2.635	2.08	4.957
150	6	168.3	88.9	203.2	215.9	13	1.5	1.34	2.591	1.64	3.174	3.37	6.482
200	8	219.1	101.6	254	269.7	13	1.5	1.96	3.409	2.65	4.607	5.67	9.819
250	10	273.1	127	254	323.9	13	1.5	3.57	6.389	4.38	7.843	9.55	17.023
300	12	323.9	152.4	304.8	381	13	1.5	5.85	8.922	6.74	10.275	13.8	21.075
350	14	355.6	152.4	304.8	412.8	13	1.5	6.55	11.571	7.49	13.912	16.88	
400	16	406.4	152.4	304.8	469.9	13	1.5	7.778	14.216	8.797	16.078		
450	18	457.2	152.4	304.8	533.4	13	1.5	9.009	16.216	10.252	18.453		
500	20	508	152.4	304.8	584.2	13	1.5	11.102	19.984	13.202	23.764		
550	22	559	152.4	304.8	641.4	13	1.5	12.763	22.81	14.779	26.413		
600	24	610	152.4		692.2	13	1.5	16.132	28.839	18.476	33.028		