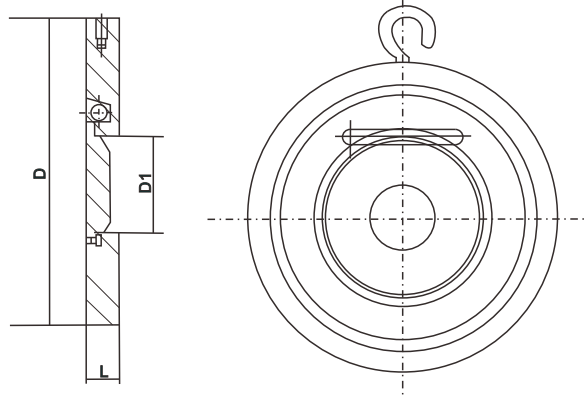


# H74 series pair clip single disc swing check valve main dimensions and weight



size	L		D1	D				ke
	PN1.0/1.6Mpa	PN2.5/4.0Mpa		1.0Mpa	1.6Mpa	2.5Mpa	4.0Mpa	
50	15	19	25	104	104	109	109	1.2
65	15	19	38	125	125	129	129	1.6
80	16	19	46	140	140	144	144	2.2
100	16	19	71.5	160	160	170	170	2.7
125	17	19	95	185	185	196	196	3.8
150	19	29	114	220	220	226	226	5.8
200	26	29	140	270	270	286	293	14
250	29	38	188	330	331	343	355	17.5
300	38	51	216	380	386	403	420	27
350	38	45	263	440	446	460	477	41.5
400	48	55	305	491	495	517	549	60
450	48	60	356	541	558	567	574	74
500	58	70	406	596	620	622	626	116
600	68	78	482	698	732	734	745	178
700	70	80	562	813	804	831		
800	75	95	664	918	912	942		
900	75	95	738	1018	1012	1040		
1000	90	100	846	1124	1126	1155		