

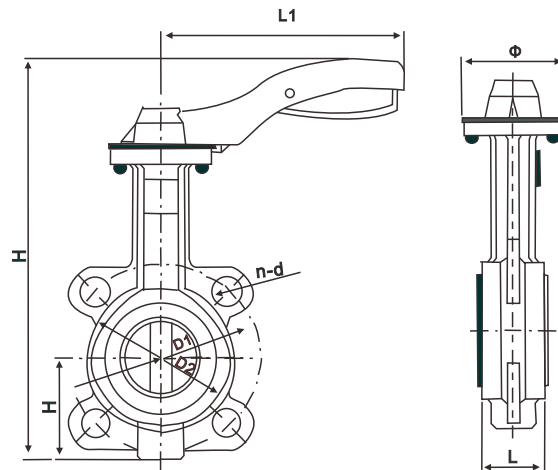
Soft seal middle line butterfly valve series

Material and driving mode of main parts

Component Name	Material and driving mode
valve body	Gray cast iron, nodular cast iron, carbon steel, stainless steel, aluminum alloy ball
Butterfly plate	Iron nylon coating, ductile iron polytetrafluoroethylene coating, ductile iron plating, aluminum bronze, stainless steel, carbon steel plating, aluminum alloy
The seat	Natural rubber, nitrile rubber, neoprene rubber, ethylene propylene rubber, Hypalene, silicone rubber, fluorine rubber, ptfе
The valve stem	Stainless steel, carbon steel plating
bushing	Lubricated bronze, ptfе
"O" type circle	Ethylene propylene rubber, nitrile rubber
Valve outer coating	Epoxy resin
drive	Stamping handle, aluminum alloy handle, worm gear reducer, electric actuator, pneumatic actuator

Type A butterfly valve

◆ Handle butterfly valve



◆ Main dimensions

(Unit: mm)

specifications		H1	H	L1	L	D1	D2	Φ	n-d
mm	inch								
40	1 1/2	58	228	170	33	110	88	72	4-19
50	2	67	237	170	43	125	92	72	4-19
65	2 1/2	74	254	170	46	145	113	72	4-19
80	3	97	287	170	46	160	130	72	8-19
100	4	111	326	220	52	180	167	92	4-19
125	5	125	350	230	56	210	192	92	4-23
150	6	140	375	230	56	240	222	92	4-23
200	8	174	430	353	60	295	275	130	8-28