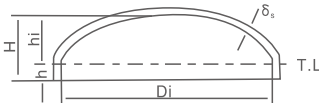
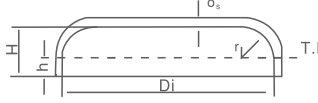
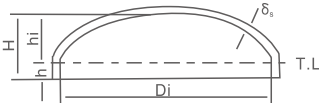
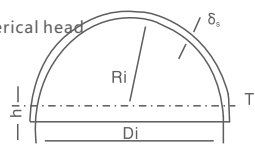
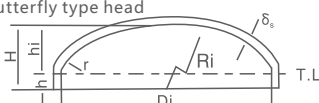
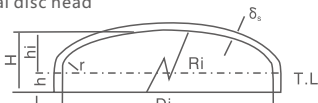
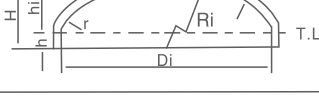

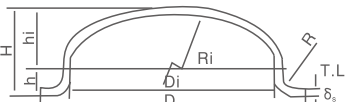
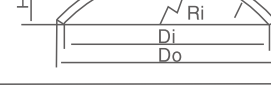
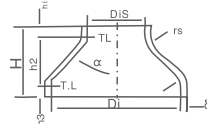
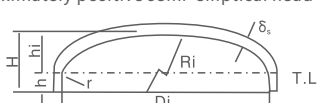


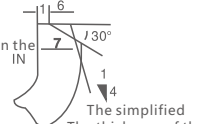



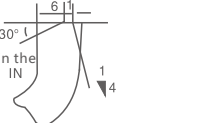
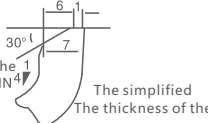
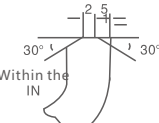
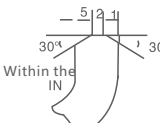
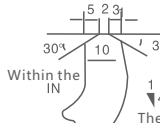
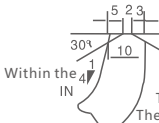


The name, code, and parameters of the header

The type code	Head section shape	Type parameters	The type code	Head section shape	Type parameters
EHA	Standard oval head (2:1 positive half oval) 	$DN=Di$ $Di/2hi=2$	FH	Flanged flat end header 	$r \geq 3 \times \delta_s$ $H=r+h$
EHB	Standard oval head (2:1 positive half oval) 	$DN=Do$ $Do/2hi=2$	HH	Hemispherical head 	$Ri=0.5Di$
DHA	Butterfly type head 	$Ri=Di$ $R=0.15Di$ $hi=0.225Di$	MD	Special disc head 	$R \geq Di$ $r \leq 0.1Di$ Di, Ri, R dimensions Except for the MD
DHB		$Ri=Di$ $R=0.1Di$ $hi=0.194Di$	XD		
PSH	Ball cap head 	$Ri=Di$ $DN=Do$	DF	Cap head 	$hi=1/4Di$
SHD		$Ri \geq 0.8Di$			
CHA	Flanged cone head 	$\alpha=30^\circ$ $r=0.15Di$ $rs=0.10DiS$	AH	Approximately positive semi-elliptical head 	$Ri=0.9045Di$ $r=0.172Di$ $H+1/4Di$
CHB		$\alpha=45^\circ$			
CHC		$\alpha=60^\circ$			
CHD		other			

Groove shape of head and method of representation

type	said	VO30/1	8-VO30/F	6-VO30 cone 1/4 f / 1	6 - inner cone VO30/1 1/4 f
Outside the groove Vo type	graphic				
	said	Within the IN	Within the IN	Within the IN The simplified The thickness of the	Within the IN
In the groove Type Vi	graphic				
	said	Within the IN	Within the IN	Within the IN The simplified The thickness of the	Within the IN
x-model	graphic				
	said	5-VO-30, R-2, F-VI-30	F-VO-30, R-2, F-VI-30	3-VO-30, R-2, F-VI-30 Outer cone 1/4 f	3-VO-30, R-2, 5-VI-30 Inner cone 1/4 f

Note (1), means: VO= outer groove, VI= inner groove, I= flat groove, F= residual size, R= blunt edge size.

(2) The groove shape of the standard stock mouth is: the groove of $Di \leq 500$ is VO; When $Di > 500$, the groove is L;

(3) Groove shapes other than the above can also be processed, please inquire individually