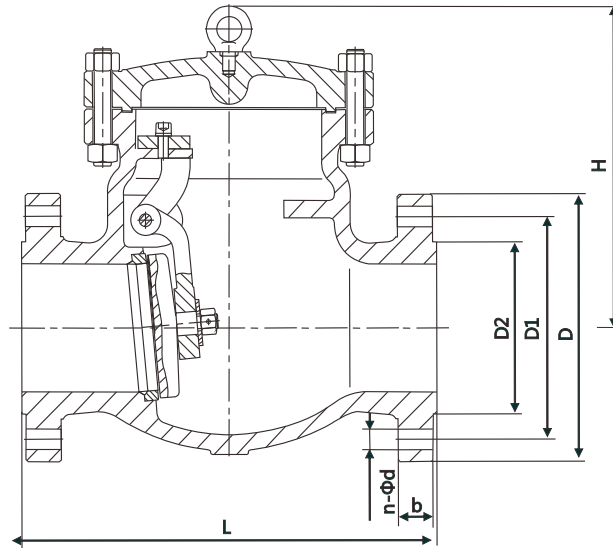


JIS daily standard check valves



The product specification

Design criteria	The length of the structure	Flange connection dimensions	Pressure-temperature	Test and inspection
JIS B2074 B2084	JIS B2002	JIS B2212 B2214	JIS B2074 B2084	JIS B2003

pressure	specifications					size				
	inch	DN	L	D	D1	D2	b	z-φd	H	D0
10K	1/2"	15	108	95	70	52	12	4-φ15	200	100
	3/4"	20	117	100	75	58	14	4-φ15	205	120
	1"	25	127	125	90	70	14	4-φ19	230	140
	1 1/4"	32	140	135	100	80	16	4-φ19	240	140
	1 1/2"	40	165	140	105	85	16	4-φ19	270	160
	2"	50	203	155	120	100	16	4-φ19	300	200
	2 1/2"	65	216	175	140	120	18	4-φ19	340	220
	3"	80	241	185	150	130	18	8-φ19	360	240
	4"	100	292	210	175	155	18	8-φ19	420	280
	5"	125	356	250	210	185	20	8-φ23	460	350
	6"	150	406	280	240	215	22	8-φ23	500	400
	8"	200	495	330	290	265	22	12-φ23	590	450
	10"	250	622	400	355	325	24	12-φ25	710	500
	12"	300	698	445	400	370	24	16-φ25	810	550
14"	350	787	490	445	415	26	16-φ25	880	600	
16"	400	914	560	510	475	28	16-φ27	940	650	
20K	1/2"	15	152	95	70	52	14	4-φ15	220	120
	3/4"	20	178	100	75	58	16	4-φ15	230	120
	1"	25	203	125	90	70	16	4-φ19	260	140
	1 1/4"	32	216	135	100	80	18	4-φ19	280	140
	1 1/2"	40	229	140	105	85	18	4-φ19	300	200
	2"	50	267	155	120	100	22	8-φ19	330	240
	2 1/2"	65	292	175	140	120	24	8-φ19	360	240
	3"	80	318	200	160	135	26	8-φ23	400	280
	4"	100	356	225	185	160	28	8-φ23	450	320
	5"	125	400	270	225	195	30	8-φ25	500	400
	6"	150	444	305	260	230	32	12-φ25	540	450
	8"	200	559	350	305	275	34	12-φ25	670	500
	10"	250	622	430	380	345	38	12-φ27	770	550
	12"	300	711	480	430	395	40	16-φ27	855	600
14"	350	762	540	480	440	44	16-φ33	920	650	
16"	400	864	605	540	495	46	16-φ33	970	700	