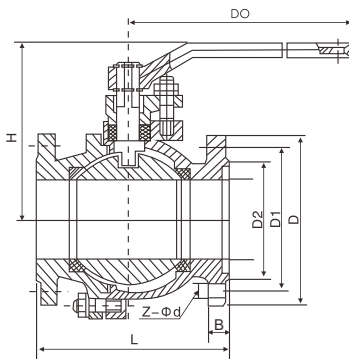


JIS valves

Q41F/Q341F/Q941F/Q641F



Main dimensions

size		10K							
mm	in	L	D	D1	D2	B	Z-φd	H	D0
15	½"	108	95	70	52	12	4-φ15	59	130
20	¾"	117	100	75	58	14	4-φ15	63	130
25	1"	127	125	90	70	14	4-φ19	75	160
32	1¼"	140	135	100	80	16	4-φ19	75	160
40	1½"	165	140	105	85	16	4-φ19	95	230
50	2"	178	155	120	100	16	4-φ19	107	230
65	2½"	190	175	140	120	18	4-φ19	142	400
80	3"	203	185	150	130	18	8-φ19	152	400
100	4"	229	210	175	155	18	8-φ19	178	700
125	5"	356	250	210	185	20	8-φ23	252	1100
150	6"	394	280	240	215	22	8-φ23	272	1100
200	8"	457	330	290	265	22	12-φ23	342	1500
		20K							
15	½"	140	95	70	52	14	4-φ15	59	130
20	¾"	152	100	75	58	16	4-φ15	63	130
25	1"	165	125	90	70	16	4-φ19	75	160
32	1¼"	178	135	100	80	18	4-φ19	75	160
40	1½"	190.5	140	105	85	18	4-φ19	95	230
50	2"	216	155	120	100	18	8-φ19	107	230
65	2½"	241	175	140	120	20	8-φ19	142	400
80	3"	283	200	160	135	22	8-φ22	152	400
100	4"	305	225	185	160	24	8-φ22	178	700
125	5"	381	270	225	195	26	8-φ22	252	1100
150	6"	403	305	260	230	28	12-φ22	272	1100
200	8"	502	350	305	275	30	12-φ25	342	1500

Material of each part

The serial number	Part name	ASTMThe material ASTM Material		
		Carbon steel	CF8M	CF8
1	The valve body	A216-WCB	A351-CF8M	CF8
2	The cover	A216-WCB	A351-CF8M	CF8
3	The ball	A182-F3041)	A182-F316	F304
4	The valve stem	A276-304	A276-316	F304
5	The seat		R.PTFE	
6	gasket	graphite+3042)Graphite+3042)	PTFE	PTFE
7	Valve cover bolts	A193-B7	A193-B8M	A193-B8M
8	The valve cover nut	A194-2H	A194-8M	A194-8M
9	packing		PTFE	PTFE
10	Packing pressure plate	A216-WCB	CF8	CF8
11	Packing bolts	A193-B7	A193-B8M	A193-B8M
12	Locating piece	Carbon steel	F304	F304
13	The handle		Carbon steel	

Note: 1.A105+ENP optional 2. Wound graphite gasket