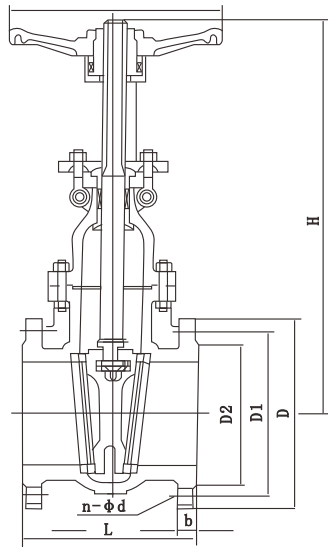


JIS gate valves



Execution standard

Design and Manufacture	The length of the structure	Connecting flange	Pressure temperature rating	Testing-inspection
JIS B2073 B2083	JIS B2002	JIS B2212 B2214	JIS B2073 B2083	JIS B2003

Specifications Main Dimensions

DN		10K		
mm	in	L	H	D0
50	2	178	409	200
65	2½	190	535	250
80	3	203	570	250
100	4	229	590	250
150	6	267	630	300
200	8	292	960	350
250	10	330	1158	400
300	12	356	1378	450
350	14	381	1543	500
400	16	406	1738	600
450	18	432	1959	600
500	20	457	2214	680
		20K		
50	2	216	480	200
65	2½	241	510	250
80	3	283	580	280
100	4	305	700	350
150	6	403	940	400
200	8	419	1190	450
250	10	457	1390	500
300	12	502	1600	500
350	14	762	1750	600
400	16	838	1900	600
450	18	914	2320	650