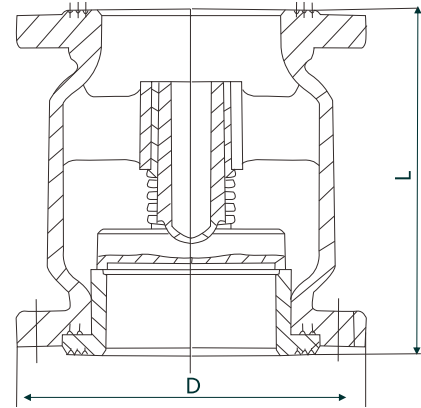


use

The valve is used in industrial pipeline as a device to prevent media from countercurrent.

The performance specification

Test pressure: nominal pressure (MPa) 1.6/2.5/4.0;
 Shell test: 24/3.8/6.0; Sealing test: 1.8/2.8/4.4;
 Body material: WCB(C)/CF8 (P)/ CF8M (R)/ WC6/WC9;
 Working temperature: $\leq 425/\leq 100/\leq 100/\leq 550/\leq 550$;
 Applicable medium: water, steam, oil, nitric acid, acetic acid,
 Execution standard: design and manufacture: GB12235
 Structure length: GB12221 Connecting flange: JB/T79-1994
 Testing and Inspection: JB/T9092-1999



Main external dimensions and connection dimensions

H42H-16C、P、R

Nominal diameter	size					
	L	D	D1	D2	b-f	z-Φd
15	80	95	65	45	14-2	4-Φ14
20	95	105	75	55	14-2	4-Φ14
25	105	115	85	65	14-2	4-Φ14
32	150	135	100	78	16-2	4-Φ18
40	160	145	110	85	16-3	4-Φ18
50	170	160	125	100	16-3	4-Φ18
65	180	180	145	120	18-3	4-Φ18
80	200	195	160	135	20-3	8-Φ18
100	210	215	180	155	20-3	8-Φ18
125	275	245	210	185	22-3	8-Φ18
150	300	280	240	210	24-3	8-Φ23
200	380	335	295	265	26-3	12-Φ23
250	450	405	355	320	30-3	12-Φ25

Main external dimensions and connection dimensions

H42H-25C、P、R

Nominal diameter	size					
	L	D	D1	D2	b-f	z-Φd
15	80	95	65	45	16-2	4-Φ14
20	95	105	75	55	16-2	4-Φ14
25	105	115	85	65	16-2	4-Φ14
32	150	135	100	78	18-2	4-Φ18
40	160	145	110	85	18-2	4-Φ18
50	170	160	125	100	20-3	4-Φ18
65	180	180	145	120	22-3	8-Φ18
80	200	195	160	135	22-3	8-Φ18
100	210	230	190	160	24-3	8-Φ23
125	275	270	220	188	28-3	8-Φ25
150	300	300	250	218	30-3	8-Φ25
200	380	360	310	278	34-3	12-Φ25
250	450	425	370	335	36-3	12-Φ30