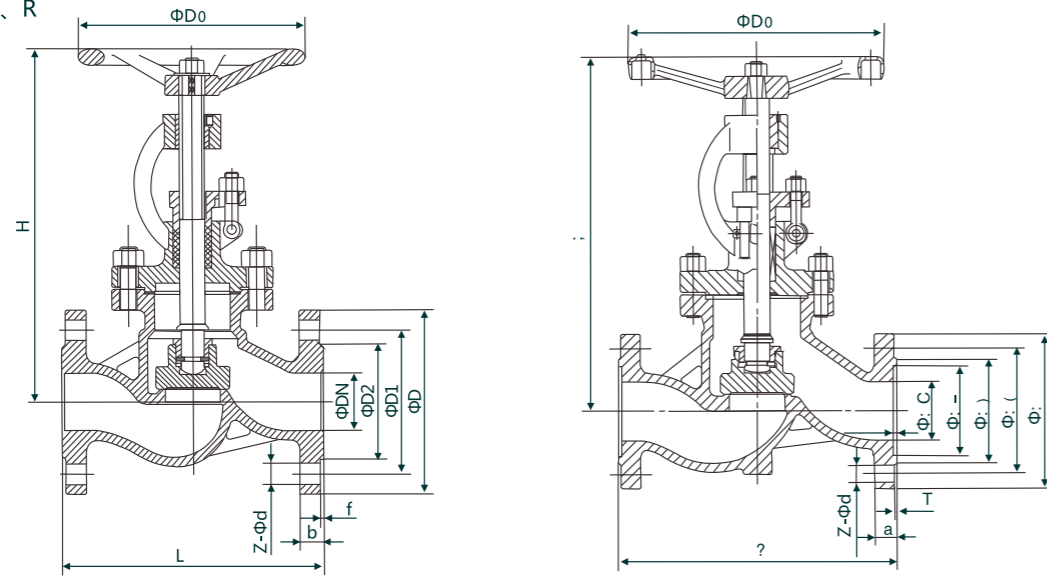


J41 $\frac{W}{Y} - \frac{1.6}{2.5} C, I, P, R$
4.0



JB/T79.1-1994
JB/T79.2-1994

Main external dimensions and connection dimensions

Nominal pressure	Nominal diameter	size										kg
		L	D	D1	D2	D6	b-f	f2	Z-Φd	H	D0	
PN1.6	10	130	90	60	40	/	14-2	/	4-14	198	120	4.7
	15	130	95	65	45	/	14-2	/	4-14	218	120	5.2
	20	150	105	75	55	/	14-2	/	4-14	230	140	7.1
	25	160	115	85	65	/	14-2	/	4-14	240	160	7.4
	32	180	135	100	78	/	16-2	/	4-18	250	180	8.5
	40	200	145	110	85	/	16-3	/	4-18	262	200	12.5
	50	230	160	125	100	/	16-3	/	4-18	280	240	19.2
	65	290	180	145	120	/	18-3	/	4-18	327	280	26.5
	80	310	195	160	135	/	20-3	/	8-18	355	280	29
	100	350	215	180	155	/	20-3	/	8-18	415	320	41
	125	400	245	210	185	/	22-3	/	8-18	460	360	57
	150	480	280	240	210	/	24-3	/	8-23	510	400	86.5
	200	600	335	295	265	/	26-3	/	12-23	588	400	140
	250	650	405	355	320	/	30-3	/	12-25	725	450	220
	300	750	460	410	375	/	30-4	/	12-25	925	500	325
	350	850	520	470	435	/	34-4	/	16-25	1030	600	590
400	950	580	525	485	/	36-4	/	16-30	1170	700	750	
450	1050	640	585	545	/	40-4	/	20-30	1220	800	89	
500	1150	705	650	608	/	44-4	/	20-34	1410	900	1225	
600	1350	840	770	718	/	48-5	/	20-41	1610	1000	2200	

Main external dimensions and connection dimensions

Nominal pressure	Nominal diameter	size										kg
		L	D	D1	D2	D6	b-f	f2	Z-Φd	H	D0	
PN2.5	10	130	90	60	40	/	16-2	/	4-14	198	120	4.9
	15	130	95	65	45	/	16-2	/	4-14	218	120	5.4
	20	150	105	75	55	/	16-2	/	4-14	258	140	7
	25	160	115	85	65	/	16-2	/	4-14	275	160	7.4
	32	180	135	100	78	/	18-2	/	4-18	280	180	8.5
	40	200	145	110	85	/	18-3	/	4-18	330	200	12.5
	50	230	160	120	100	/	20-3	/	4-18	350	240	20
	65	290	180	145	120	/	22-3	/	8-18	400	280	29
	80	310	195	160	135	/	22-3	/	8-18	355	280	32
	100	350	230	190	160	/	24-3	/	8-23	415	320	45
	125	400	270	220	188	/	28-3	/	8-25	460	360	63
	150	480	300	250	218	/	30-3	/	8-25	510	400	90
	200	600	360	310	278	/	34-3	/	12-25	710	400	160
	250	650	425	370	332	/	36-3	/	12-30	786	450	240
	300	750	485	430	390	/	40-4	/	16-30	925	500	390
	350	850	550	490	448	/	44-4	/	16-34	1030	600	650
400	950	610	550	505	/	48-4	/	16-41	1170	700	820	
450	1050	660	600	555	/	50-4	/	20-34	1220	800	960	
500	1150	730	660	610	/	52-4	/	20-41	1450	900	1310	
600	1350	840	770	718	/	56-5	/	20-41	1810	1000	2420	
PN4.0	10	130	90	60	40	35	16-2	4	4-14	198	120	4.9
	15	130	95	65	45	40	16-2	4	4-14	233	120	5.7
	20	150	105	75	55	51	16-2	4	4-14	275	140	7
	25	160	115	85	65	58	16-2	4	4-14	285	160	8.8
	32	180	135	100	78	66	18-2	4	4-18	302	180	11.8
	40	200	145	110	85	76	18-3	4	4-18	355	200	16.5
	50	230	160	125	100	88	20-3	4	4-18	373	240	24
	65	290	180	145	120	110	22-3	4	8-18	408	280	33
	80	310	195	160	135	121	22-3	4	8-18	436	320	44
	100	350	230	190	160	150	24-3	4.5	8-23	480	360	60
	125	400	270	220	188	176	28-3	4.5	8-25	558	400	89
	150	480	300	250	218	204	30-3	4.5	8-25	611	400	98
	200	600	375	320	282	260	38-3	4.5	12-30	720	400	190
	250	650	445	385	345	313	42-3	4.5	12-34	665	500	265
	300	750	510	450	408	364	46-4	4.5	16-34	720	550	430
	350	850	570	510	465	422	52-4	5	16-34	860	600	715
400	950	655	585	535	474	58-4	5	16-41	1010	700	900	
450	1050	680	610	560	524	60-4	5	20-41	1190	800	1440	
500	1150	755	670	612	576	62-4	5	20-48	1260	900	2660	

Note: electric or gear rotation, price separately.

Structural advantages and characteristics

- 1, product design and manufacture according to the national standard GB 12235, reasonable structure, reliable sealing, excellent performance, beautiful appearance.
- 2, disc, seat sealing surface with iron base alloy surfacing or Stellite cobalt base carbide surfacing, wear resistance, high temperature resistance, corrosion resistance, abrasion resistance, long service life.
- 3, the valve stem after quenching and tempering and surface nitriding treatment, has good corrosion resistance and abrasion resistance.
4. Various piping flange standards and flange sealing surface types can be adopted to meet the needs of various projects and user requirements.
- 5, the valve body material variety is complete, packing, gasket can be reasonably selected according to the actual working condition or user requirements, can be applied to all kinds of pressure, temperature and medium working condition.
- 6, the reverse seal is made of threaded connection sealing seat or body surfacing stainless steel, reliable sealing, packing replacement can be carried out conveniently and quickly without affecting the operation of the system without stopping.

Standards and Specifications

Design and Manufacture	The length of the structure	Pressure-temperature registration	Connecting flange	Test and inspection
GB 12235	GB 12221	GB 12224	JB/T 79/82~1994 GB 9113 HG 20592-20635	JB/T 9092-1999 GB 13927

Main parts and materials

The name of the	material								
Body/bonnet	CF8	CF3	CF8M	CF3M	WCB	LCB	WC6	WC9	C5
The disc	CF8	CF3	CF8M	CF3M	WCB	LCB	WC6	WC9	C5
The valve stem	F304	F304L	F316	F316L	2CR13	F304	F304	F304	F304
Stem nut	Aluminum bronze								
packing	PTFE/ flexible graphite				graphite				
gasket	PTFE/ metal wound pad				graphite				
gland	CF8	CF3	CF8M	CF3M	WCB	LCB	WC6	WC9	C5
bolt					35CrMoA				
nut	Stainless steel				45、 35CrMoA				
The handwheel	Stainless steel				Cast steel				