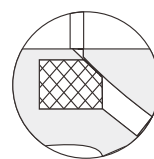
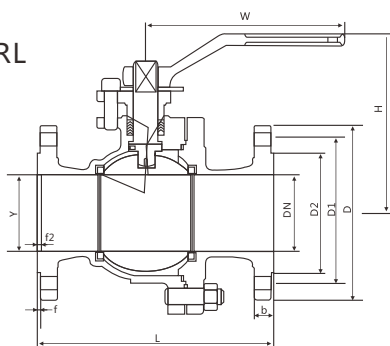
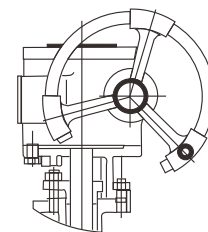


Gb floating ball valve

Q41/Q341/641/941F-16C/P/R/RL



Fire prevention structure



Worm gear operation

Main exterior and connection

Unit: mm

Size	Main exterior and connection									WT (kg)
	L	D	D1	D2	b	f	Z-Φd	H	W	
			Q41F-16C	Q41F-16P	Q641F-16C	Q641F-16P	Q9B41F-16C	Q9B41F-16P		
15	130	95	65	45	14	2	4-Φ14	78	140	3
20	140	105	75	55	14	2	4-Φ14	84	160	4
25	150	115	85	65	14	2	4-Φ14	95	180	5
32	165	140	100	78	16	2	4-Φ18	150	250	9
40	180	150	110	85	16	2	4-Φ18	150	300	11
50	200	165	125	100	17	2	4-Φ18	170	350	15
65	220	185	145	120	18	2	8-Φ18	195	350	19
80	250	200	160	135	18	2	8-Φ18	215	400	27
100	280	220	180	155	20	2	8-Φ18	250	500	38
125	320	250	210	185	20	2	8-Φ18	265	600	58
150	360	285	240	210	21	2	8-Φ23	270	800	81
200	400	340	295	265	21	2	12-Φ23	330	800	95
250	533	405	355	320	26	2	12-Φ25	450	1300	140

Main parts and materials

The name of the	material									
Body/bonnet	CF8	CF3	CF8M	CF3M	WCB	LCB	WC6	WC9	C5	
A sphere	CF8	CF3	CF8M	CF3M	WCB Hcr	CF8	CF8	CF8	CF8	CF8
The valve stem	F304	F304L	F316	F316L	2CR13	F304	F304	F304	F304	F304
The seat	PTEE/PPL/304									
Packing/gasket	PTEE					graphite				
bolt	Stainless steel					35CrMoA				
nut	Stainless steel					45、35CrMoA				
The handle	Cast steel									