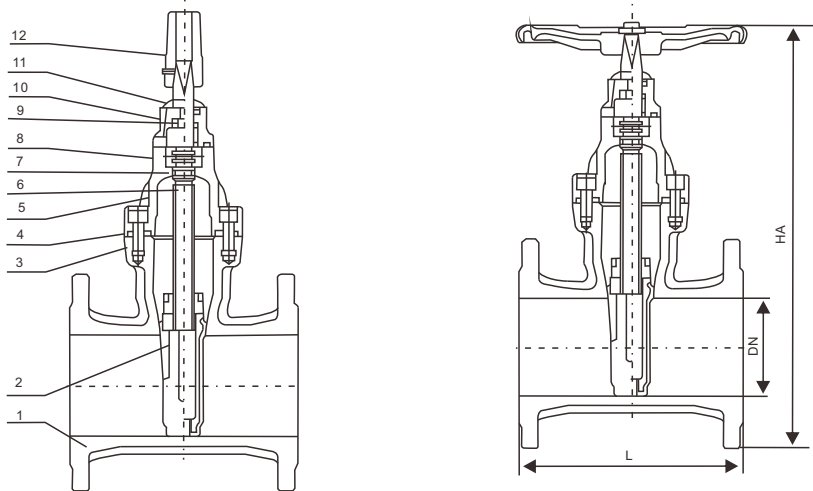


# RVHX, RVCX Concealed stem resilient seat seal gate Valves



## Product overview

RRHX, RVCX dark stem elastic seat seal gate valve is composed of body, cover, stem, stem nut, gate and other parts. The valve uses the elastic gate to produce trace elastic deformation compensation effect to achieve good sealing effect, the valve has a light switch, Reliable sealing, good elastic memory and long service life and other significant advantages, using full diameter, dark rod operation, flange bolt connection, Flat bottom valve seat, no debris precipitation, can be widely used in tap water, sewage, construction, petroleum, chemical, food, medicine, Used as regulating and closing device in light textile, electric power, shipbuilding, metallurgy and energy system pipelines.

## Main technical parameters

Nominal pressure	Nominal diameter	Applicable medium	Working temperature	The standard of the flange	Test standard
1.0~2.5MPa	50~400mm	Water, oil, gas, etc	0~120℃	GB/T17241.6 GB9113	Gb13927 API598

## Main components and materials

NO.	Part name	material
1	The valve body	Stainless steel
2	ram	Stainless steel coated with epDM or NBR
3	Hexagon socket bolt	carbonization
4	Sealing ring	Nitrile rubber
5	The cover	Stainless steel
6	The valve stem	Stainless steel
7	"O" seal ring	Nitrile rubber
8	Thrust bearing	Tin bronze
9	bolt	Stainless steel
10	gland	Stainless steel
11	Dust cover	Nitrile rubber
12	Handwheel (drive cap)	Stainless steel

## Main connection size

Unit: mm

Nominal diameter	nominal size	D		N-ΦD		L	H
		1.0/1.6Mpa	1.0Mpa 1.6Mpa	1.0Mpa	1.6Mpa		
RVC(H)X-0050	50	165	125 125	4-19	4-19	178	340
RVC(H)X-0065	65	185	145 145	4-19	4-19	190	370
RVC(H)X-0080	80	200	160 160	8-19	8-19	203	410
RVC(H)X-00100	100	220	180 180	8-19	8-19	229	450
RVC(H)X-00125	125	250	210 210	8-19	8-19	254	480
RVC(H)X-00150	150	285	240 240	8-23	8-23	267	550
RVC(H)X-00200	200	340	295 295	8-23	12-23	292	630
RVC(H)X-00250	250	405	350 355	12-23	12-28	330	750
RVC(H)X-00300	300	460	400 410	12-23	12-28	356	820
RVC(H)X-00350	350	520	460 470	16-28	16-28	381	980
RVC(H)X-00400	400	580	515 525	16-28	16-31	406	1010
RVC(H)X-00450	450	640	565 585	20-28	20-31	432	1270
RVC(H)X-00500	500	715	620 650	20-28	20-34	457	1270
RVC(H)X-00600	600	840	725 770	20-31	20-37	508	1390

Transmission mode: manual, electric, pneumatic, hydraulic.