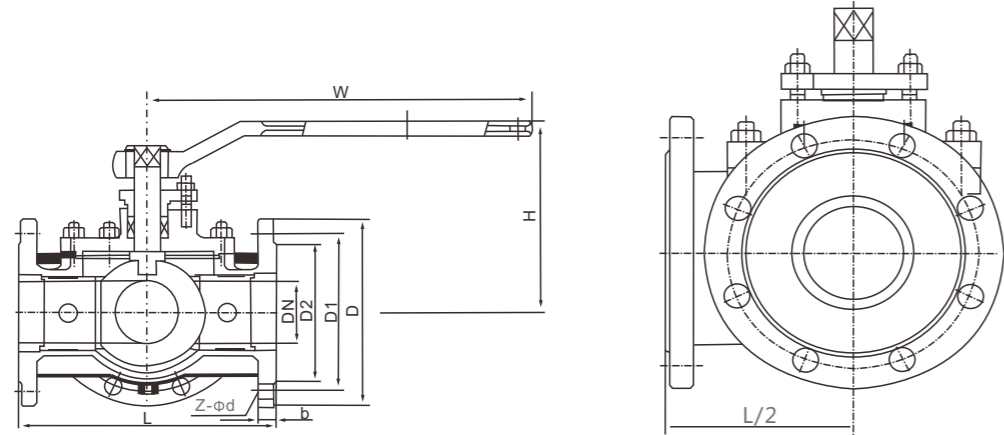


# Stainless steel flange three-way ball valve

Q44/644/944/45/645/956F-16C/P



Main appearance and connection dimensions

JB/T79.1

Nominal diameter	Main dimensions and joint dimensions (mm)								kg
	L	D	D1	D2	b	Z-φd	H	W	
Q44F-16C Q44F-16P Q644F-16C Q644F-16P Q944F-16C Q944F-16P Q45F-16C Q45F-16P Q645F-16C Q645F-16P Q945F-16C Q945F-16P									
15	150	95	65	45	14	4-φ14	95	140	4
20	160	105	75	55	14	4-φ14	105	160	8
25	180	115	85	65	16	4-φ14	113	180	7
32	200	135	100	78	18	4-φ18	135	250	12
40	220	145	110	85	20	4-φ18	142	300	15
50	240	160	125	100	22	4-φ18	165	350	20
65	260	180	145	120	24	4-φ18	175	350	25
80	280	195	160	135	24	8-φ18	190	400	36
100	320	215	180	155	26	8-φ18	225	500	51
125	380	245	210	185	28	8-φ18	245	600	77
150	440	280	240	210	28	8-φ23	265	800	108
200	550	335	295	265	30	12-φ23	305	800	126
250	670	405	355	320	32	12-φ25	370	1300	185

# Stainless steel flange three-way ball valve

Main appearance and connection dimensions

JB/T79.1

Nominal diameter	Main dimensions and joint dimensions (mm)								kg
	L	D	D1	D2	b	Z-φd	H	W	
Q44F-25 Q45F-25P Q644F-25 Q644F-25P Q944F-25 Q944F-25P Q45F-25 Q45F-25P Q644F-25 Q644F-25P Q944F-25 Q944F-25P									
15	150	95	65	45	16	4-φ14	95	100	4
20	160	105	75	55	18	4-φ14	105	160	5
25	180	115	85	65	18	4-φ14	113	160	8
32	200	135	100	78	20	4-φ18	135	250	13
40	220	145	110	85	22	4-φ18	142	250	19
50	240	160	125	100	24	4-φ18	154	350	27
65	260	180	145	120	24	8-φ18	175	350	33
80	280	195	160	135	26	8-φ18	190	450	40
100	320	230	190	160	28	8-φ23	225	450	53
125	380	270	220	188	30	8-φ25	245	600	86
150	440	300	250	218	30	8-φ25	265	800	113
200	550	360	310	278	32	12-φ25	305	1200	133
250	670	425	370	332	34	12-φ30	370	1400	219

Main appearance and connection dimensions

JB/T79.2

Nominal diameter	Main dimensions and joint dimensions (mm)								kg
	L	D	D1	D2	b	Z-φd	H	W	
Q44F-40 Q45F-40P Q644F-40 Q644F-40P Q944F-40 Q944F-40P Q45F-40 Q45F-40P Q644F-40 Q644F-40P Q944F-40 Q944F-40P									
15	150	95	65	45	14	4-φ14	95	100	4
20	160	105	75	58	16	4-φ14	105	160	5
25	180	115	85	68	16	4-φ14	113	160	8
32	200	140	100	78	18	4-φ18	135	250	13
40	220	150	110	88	18	4-φ18	142	250	19
50	240	165	125	102	20	4-φ18	154	350	27
65	260	185	145	122	22	8-φ18	175	350	33
80	280	200	160	138	24	8-φ18	190	450	40
100	320	235	190	162	26	8-φ23	225	450	53
125	380	290	220	188	28	8-φ25	245	600	86
150	440	300	250	218	30	8-φ25	265	800	113
200	550	375	320	285	36	12-φ30	305	1200	133
250	670	450	385	345	42	12-φ34	370	1400	219