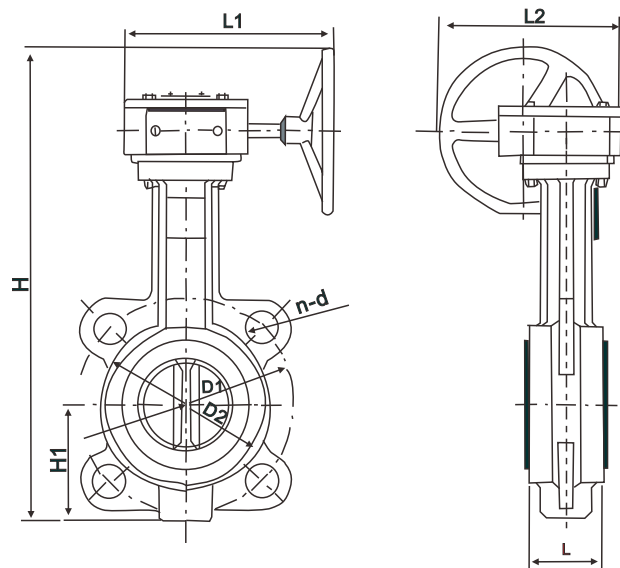


Soft seal middle line butterfly valve series

Worm gear butterfly valve



Main dimensions

(Unit: mm)

specifications		H1	reference			L	D1	D2	n-d
mm	inch		H	L1	L2				
40	1 1/2	58	297	180	200	33	110	88	4-19
50	2	67	306	180	200	43	125	92	4-19
65	2 1/2	74	321	180	200	46	145	113	4-19
80	3	97	346	180	200	46	160	130	8-19
100	4	111	387	180	200	52	180	167	4-19
125	5	125	411	180	200	56	210	192	4-23
150	6	140	447	180	200	56	240	222	8-23
200	8	174	572	270	280	60	295	275	8-28
250	10	207	646	270	280	68	350 355	332	4-23 4-28
300	12	240	738	380	420	77	400 410	390	4-23 4-28
350	14	272	761	380	420	76	460 470	423	4-23 4-28
400	16	297	877	450	470	102	515 525	580	4-28 4-31
450	18	331	938	480	490	114	565 585	640	4-28 4-31
500	20	361	993	480	490	130	620 650	715	4-28 4-34
600	24	459	1131	480	490	152	725 770	840	4-31 4-37
700	28	520	1476	640	660	163	840	910	24-31 24-37
800	32	591	1533	640	660	188	950	1025	24-34 24-40
900	36	656	1655	750	860	203	1050 1160	1125	28-34
1000	40	721	1765	850	900	216	1170	1255	28-37 28-43
1200	48	844	1995	850	900	276	1380 1390	1485	32-40 32-49