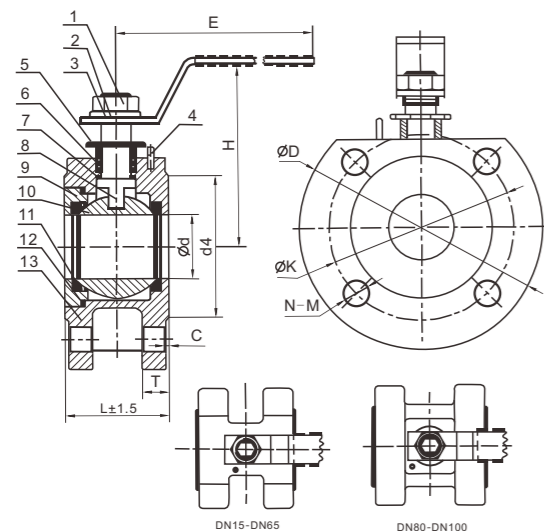




describe

1. Maximum pressure :Pn16
2. Full flow (wafer type)
3. Material :SS304 (CF8, SUS304, 1.4308),SS316 (1.4408 CF8M, SUS316)
4. Incestment cast the body
5. Blowout proof stem
6. Operation mode: manual (lock handle can be provided)
7. Connection mode: French connection



Main material

No.	Part name	material
1	nut	SS304
2	Spring washer	SS304
3	The handle	SS201
4	PIN	SS304
5	The gland nut	SS304
6	packing	PTFE
7	Thrust washer	PTFE
8	The valve stem	SS304/SS316
9	hat	CF8/CF8M/WCB
10	ball	SS304/SS316
11	The seat	PTFE/RPTFE
12	gasket	PTFE
13	The valve body	CF8/CF8M/WCB

The size of the

(Unit: mm)

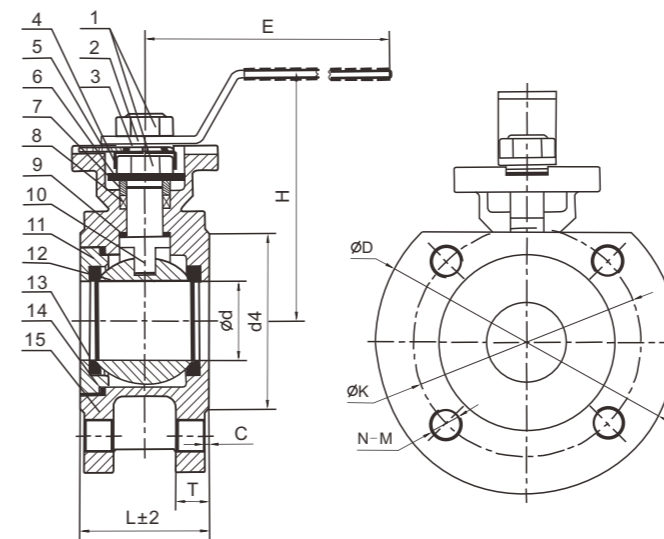
size	1/2"	3/4"	1"	1-1/4"	1-1/2"	2"	2-1/2"	3"	4"
d	15	20	25	32	38	49	58	76	90
d4	45	58	67	78	84	102	118	140	162
K	65	75	85	100	110	125	145	160	180
D	90	102	114	133	143	157	177	192	212
C	1.5	1.5	1.5	2	2	2	2	3	3
T	11	12	13	14	16	17	18	20	21
N-M	4-M12	4-M12	4-M12	4-M16	4-M16	4-M16	4-M16	8-M16	8-M16
H	70	74	89	100	120	129	143	160	158
E	125	125	155	155	195	195	250	270	280
L	32	37	41	52	63	72	97	117	136

The above technical data is for reference only. If you have any questions, please contact us.



describe

1. Maximum pressure :Pn16
2. Full flow (wafer type)
3. Material :SS304 (CF8, SUS304, 1.4308),SS316 (1.4408 CF8M, SUS316)
4. Incestment cast the body
5. Blowout proof stem
6. Operation mode: manual (lock handle can be provided)
7. Connection mode: French connection



Main material

No.	PART NAME	MATERIAL
1	nut	SS304
2	The handle	SS201
3	Spring washer	SS304
4	Positioning lock cover	SS304
5	stop	SS304
6	The gasket	SS304
7	casing	SS304
8	packing	PTFE
9	Thrust washer	PTFE
10	The valve stem	SS304/SS316
11	hat	CF8/CF8M/WCB
12	The ball	SS304/SS316
13	The seat	PTFE/RPTFE
14	gasket	PTFE
15	The valve body	CF8/CF8M/WCB

The size of the

size	1/2"	3/4"	1"	1-1/4"	1-1/2"	2"	2-1/2"	3"
d	15	20	25	32	38	49	58	76
d4	45	58	67	78	84	102	118	140
K	65	75	85	100	110	125	145	160
D	90	102	114	133	143	157	177	192
C	1.5	1.5	1.5	2	2	2	2	3
T	11	12	13	14	16	17	18	20
N-M	4-M12	4-M12	4-M12	4-M16	4-M16	4-M16	4-M16	8-M16
H	70	74	89	100	120	129	143	160
E	125	125	155	155	195	195	250	270
L	32	37	41	52	63	72	97	117
R3	3	3	3.5	3.5	4.5	4.5	5.5	5.5
R4	3	3	3	3	3.5	3.5	4.5	4.5
S	9	9	11	11	14	14	17	17
R1	42	42	50	50	70	70	102	102
R2	36	36	42	42	50	50	70	70

The above technical data is for reference only. If you have any questions, please contact us.