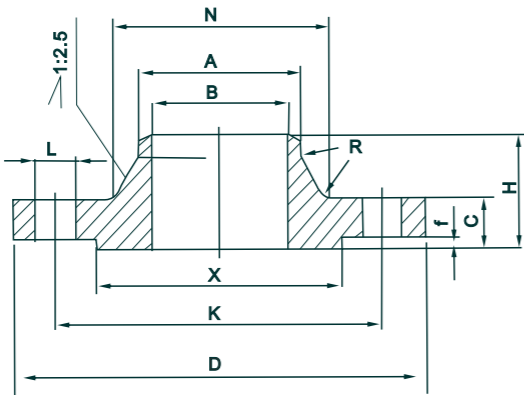


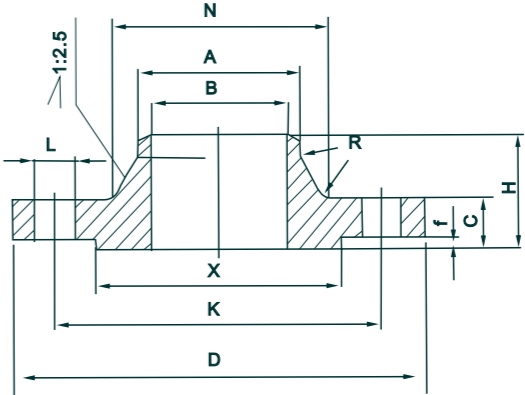
GOST/ГОСТ 12821-80 FLANGE FORGED PN0.6MPa,PN6



mm

DN	A	Connection size					Sealing face size		C	H	B	N _{max}	R	kg
		The flange diameter Series 1/ Series 2	K	Bolt hole diameter Series 1/ Series 2	Bolts, studs		d	f						
					n	Threaded Th. Series 1/ Series 2								
10	14	75	50	12	4	M10	32	2	12	25	8	22	4	0.35
15	18	80	55	12	4	M10	40	2	12	30	12	28	4	0.40
20	25	90	65	12	4	M10	50	2	12	32	18	36	4	0.54
25	32	100	75	12	4	M10	60	2	14	32	25	42	4	0.78
32	38	120	90	14	4	M12	70	2	14	35	31	50	4	1.08
40	45	130	100	14	4	M12	80	3	14	38	38	60	4	1.25
50	57	140	110	14	4	M12	90	3	14	38	49	70	4	1.42
65	73	160	130	14	4	M12	110	3	14	38	66	88	4	1.80
80	89	190/185	150	18	4	M16	125	3	16	40	78	102	5	2.85
100	108	210/205	170	18	4	M16	145	3	16	42	96	122	5	3.45
125	133	240/235	200	18	8	M16	175	3	18	44	121	148	5	4.73
150	159	265/260	225	18	8	M16	200	3	20	46	146	172	5	5.49
(175)	194	290	255	18	8	M16	230	3	20	50	177	210	5	7.17
200	219	320/310	280	18	8	M16	255	3	20	55	202	235	5	8.56
(225)	245	340	305	18	8	M16	280	3	22	55	226	260	6	9.30
250	273	375/370	335	18	12	M16	310	3	22	60	254	288	6	11.80
300	325	440/435	395	23	12	M20	362	4	22	60	303	340	6	15.27
350	377	490/485	445	23	12	M20	412	4	22	60	351	390	6	18.23
400	426	540/535	495	23	16	M20	462	4	22	62	398	440	6	21.40
450	480	595/590	550	23	16	M20	518	4	22	62	450	494	6	24.95
500	530	645/640	600	23	16	M20	568	4	24	62	501	545	6	28.82
600	630	755	705	26/25	20	M24/M22	670	5	24	74	602	650	8	37.76
700	720	860	810	26/25	24	M24/M22	775	5	24	74	692	740	10	46.53
800	820	975	920	30	24	M27	880	5	24	85	792	844	12	60.15
900	920	1075	1020	30	24	M27	980	5	26	88	892	944	12	71.94
1000	1020	1175	1120	30	28	M27	1080	5	26	88	992	1044	12	79.29
1200	1220	1405/1400	1340	34	32	M30	1292	5	28	90	1192	1248	12	113.61
1400	1420	1630/1620	1560	34	36	M30	1510	5	32	106	1392	1456	14	172.47

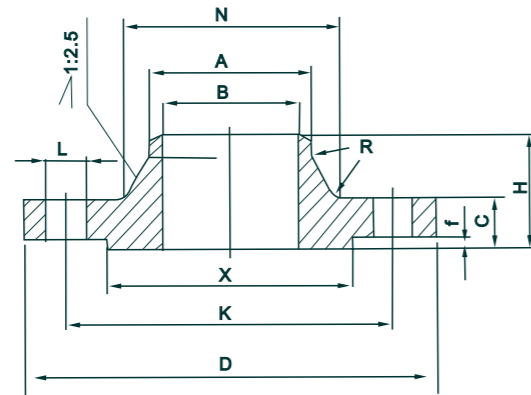
GOST/ГОСТ 12821-80 FLANGE FORGED PN1.0MPa,PN10



mm

DN	A	Connection size					Sealing face size		C	H	B	N _{max}	R	kg
		The flange diameter Series 1/ Series 2	K	Bolt hole diameter Series 1/ Series 2	Bolts, studs		d	f						
					n	Threaded Th. Series 1/ Series 2								
10	14	90	60	14	4	M12	40	2	12	35	8	25	4	0.52
15	18	95	65	14	4	M12	45	2	12	35	12	30	4	0.59
20	25	105	75	14	4	M12	55	2	14	38	18	38	4	0.88
25	32	115	85	14	4	M12	65	2	14	40	25	45	4	1.06
32	38	140/135	100	18	4	M16	78	2	16	42	31	55	4	1.72
40	45	150/145	110	18	4	M16	85	3	16	45	38	62	4	1.90
50	57	165/160	125	18	4	M16	100	3	16	45	49	76	4	2.35
65	73	185/180	145	18	4	M16	125	3	18	48	66	94	5	3.26
80	89	200/195	160	18	4	M16	135	3	18	50	78	105	5	3.77
100	108	220/215	180	18	8	M16	155	3	20	52	96	128	5	4.91
125	133	250/245	210	18	8	M16	185	3	22	60	121	156	6	6.91
150	159	285/280	240	23	8	M20	210	3	22	60	146	180	6	8.38
(175)	194	310	270	23	8	M20	240	3	22	60	177	210	6	9.39
200	219	340/335	295	23	8	M20	265	3	22	62	202	240	6	11.27
(225)	245	365	325	23	8	M20	295	3	22	65	226	268	8	13.11
250	273	395/390	350	23	12	M20	320	3	24	65	254	290	8	14.78
300	325	445/440	400	23	12	M20	368	4	26	65	303	345	8	18.85
350	377	505/500	460	23	16	M20	428	4	26	65	351	400	8	24.18
400	426	565	515	26/25	16	M24/M22	482	4	26	65	398	445	10	28.74
450	480	615	565	26/25	20	M24/M22	582	4	26	70	450	500	12	34.21
500	530	670	620	26/25	20	M24/M22	585	4	28	78	501	550	12	40.15
600	630	780	725	30	24	M27	685	5	28	90	602	650	12	50.45
700	720	895	840	30	24	M27	800	5	30	90	692	744	14	68.71
800	820	1015/1010	950	34	24	M30	905	5	32	106	792	850	14	94.12
900	920	1115/1110	1050	34	28	M30	1005	5	34	108	892	950	14	109.74
1000	1020	1230/1220	1160	36/34	28	M33/M30	1115	5	34	108	992	1050	14	128.08
1200	1220	1455/1450	1380	41	32	M36	1325	5	38	112	1192	1256	18	182.96

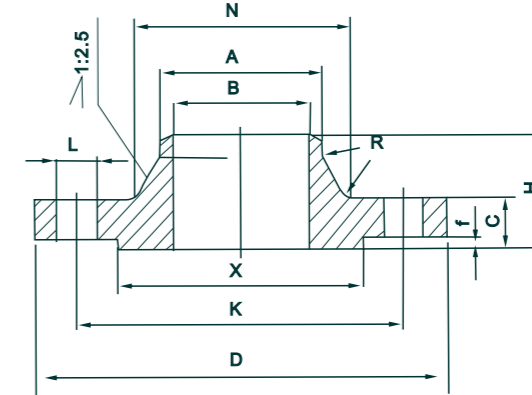
GOST/ГОСТ 12821-80 FLANGE FORGED PN1.6MPa,PN16



mm

DN	A	Connection size					Sealing face size		C	H	B	N _{max}	R	kg
		The flange diameter Series 1/ Series 2	K	Bolt hole diameter Series 1/ Series 2	Bolts, studs		d	f						
					n	Threaded Th. Series 1/ Series 2								
10	14	90	60	14	4	M12	40	2	14	35	8	26	4	0.61
15	18	95	65	14	4	M12	45	2	14	35	12	30	4	0.69
20	25	105	75	14	4	M12	55	2	14	38	18	38	4	0.88
25	32	115	85	14	4	M12	65	2	14	40	25	45	4	1.06
32	38	140/135	100	18	4	M16	78	2	16	42	31	55	4	1.72
40	45	150/145	110	18	4	M16	85	3	16	45	38	64	4	1.93
50	57	165/160	125	18	4	M16	100	3	16	48	49	76	5	2.36
65	73	185/180	145	18	4	M16	120	3	18	50	66	94	5	3.28
80	89	200/195	160	18	8	M16	135	3	20	52	78		5	4.17
100	108	220/215	180	18	8	M16	155	3	20	52	96	130	5	4.99
125	133	250/245	210	18	8	M16	185	3	22	60	121	156	6	6.91
150	159	285/280	240	23	8	M20	210	3	22	60	146	180	6	8.38
(175)	194	310	270	23	8	M20	240	3	24	60	177	210	6	10.05
200	219	340/335	295	23	12	M20	265	3	24	62	202	240	6	11.78
(225)	245	365	325	23	12	M20	295	3	24	68	226	268	6	13.85
250	273	405	355	26/25	12	M24/M22	320	3	26	68	254	292	8	16.92
300	325	460	410	26/25	12	M24/M22	375	4	28	70	303	346	8	22.29
350	377	520	470	26/25	16	M24/M22	435	4	32	78	351	400	8	31.90
400	426	580	525	30	16	M27	485	4	36	90	398	450	10	43.50
450	480	640	585	30	20	M27	545	4	38	95	450	506	10	53.90
500	530	715/705	650	34	20	M30	608	4	42	98	501	559	10	71.84
600	630	840	770	36/41	20	M33/M36	718	5	46	105	602	660	10	101.26
700	720	910	840	36/41	24	M33/M36	788	5	48	110	692	750	12	108.20
800	820	1025/1020	950	41	24	M36	898	5	50	115	792	850	12	134.77
900	920	1125/1120	1050	41	28	M36	998	5	52	122	892	958	12	156.97
1000	1020	1255	1170	42/48	28	M39/M42	1110	5	54	125	992	1060	12	207.33
1200	1220	1485	1390	48/54	32	M45/M48	1325	5	56	135	1192	1268	15	286.77

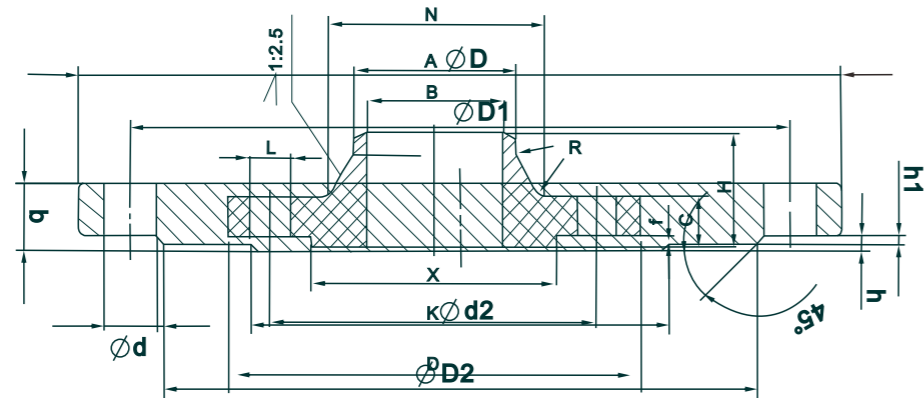
GOST/ГОСТ 12821-80 FLANGE FORGED PN2.5MPa,PN25



mm

DN	A	Connection size					Sealing face size		C	H	B	N _{max}	R	kg
		The flange diameter Series 1/ Series 2	K	Bolt hole diameter Series 1/ Series 2	Bolts, studs		d	f						
					n	Threaded Th. Series 1/ Series 2								
10	14	90	60	14	4	M12	40	2	16	35	8	26	4	0.70
15	18	95	65	14	4	M12	45	2	16	35	12	30	5	0.77
20	25	105	75	14	4	M12	55	2	16	36	18	38	5	0.97
25	32	115	85	14	4	M12	65	2	16	38	25	45	5	1.18
32	38	140/135	100	18	4	M16	78	2	18	45	31	56	5	1.95
40	45	150/145	110	18	4	M16	85	3	18	48	38	64	5	2.17
50	57	165/160	125	18	4	M16	100	3	20	48	49	76	5	2.91
65	73	185/180	145	18	8	M16	120	3	22	52	66	96	6	3.87
80	89	200/195	160	18	8	M16	135	3	22	55	78	110	6	4.57
100	108	230	190	23	8	M20	160	3	24	62	96	132	6	6.46
125	133	270	220	26/25	8	M24/M22	188	3	26	68	121	160	8	9.40
150	159	300	250	26/25	8	M24/M22	218	3	28	72	146	186	8	12.18
(175)	194	330	280	26/25	12	M24/M22	248	3	28	75	177	216	8	13.75
200	219	360	310	26/25	12	M24/M22	278	3	30	80	202	245	8	17.39
(225)	245	396	340	30	12	M27	302	3	32	80	226	270	8	21.45
250	273	425	370	30	12	M27	332	3	32	85	254	300	10	24.37
300	325	485	430	30	16	M27	390	4	36	92	303	352	10	33.37
350	377	555/550	490	34	16	M30	448	4	40	98	351	406	10	47.80
400	426	620/610	550	36/34	16	M33/M30	505	4	44	115	398	464	10	67.55
450	480	670/660	600	36/34	20	M33/M30	555	4	46	115	450	514	12	75.46
500	530	730	660	36/41	20	M33/M36	610	4	48	120	500	570	12	92.55
600	630	845/840	770	41	20	M36	718	5	54	130	600	670	12	126.00
700	720	960/955	875	42/48	24	M39/M42	815	5	58	140	690	766	12	169.82
800	820	1085/1070	990	48/48	24	M45/M42	930	5	60	150	790	874	15	220.45

GOST/ГОСТ 12821-80 FLANGE FORGED PN4.0MPa,PN40



mm

DN	A	Connection size				Sealing face size		C	H	B	N _{max}	R	kg	
		The flange diameter Series 1/ Series 2	K	Bolt hole diameter Series 1/ Series 2	Bolts, studs n	Threaded Th. Series 1/ Series 2	d							f
10	14	90	60	14	4	M12	40	2	16	35	8	26	4	0.70
15	18	95	65	14	4	M12	45	2	16	35	12	30	5	0.77
20	25	105	75	14	4	M12	55	2	16	36	18	38	5	0.97
25	32	115	85	14	4	M12	65	2	16	38	25	45	5	1.18
32	38	140/135	100	18	4	M16	78	2	18	45	31	56	5	1.95
40	45	150/145	110	18	4	M16	85	3	18	48	38	64	5	2.17
50	57	165/160	125	18	4	M16	100	3	20	48	48	76	5	2.94
65	73	185/180	145	18	8	M16	120	3	22	52	66	96	6	3.87
80	89	200/195	160	18	8	M16	135	3	24	58	78	112	6	5.02
100	108	235/230	190	23	8	M20	160	3	26	68	96	138	6	7.63
125	133	270	220	26/25	8	M24/M22	188	3	28	68	120	160	8	10.12
150	159	300	250	26/25	8	M24/M22	218	3	30	72	145	186	8	13.03
(175)	194	350	295	30	12	M27	258	3	36	88	177	226	10	20.51
200	219	375	320	30	12	M27	282	3	38	88	200	250	10	24.11
(225)	245	415	355	34	12	M30	315	3	40	98	226	280	10	30.79
250	273	450/445	385	34	12	M30	345	3	42	102	252	310	10	37.96
300	325	515/510	450	34	16	M30	408	4	46	116	301	368	12	53.30
350	377	580/270	510	36/34	16	M33/M30	465	4	52	120	351	418	12	71.79
400	426	660/655	585	41	16	M36	535	4	58	142	398	480	12	107.72
450	480	685/680	610	41	20	M36	560	4	60	146	448	530	14	108.50
500	530	755	670	42/48	20	M39/M42	612	4	62	156	495	580	15	137.30

Note: 1. Flange connection dimensions of series 1 in Table 1-5 are interchangeable with those of gb and German standard flanges; The size of series 2 flange is exchanged with that of the original machine standard. New product design shall have priority to adopt series 1 size.

2. The theoretical weights of flanges listed in Tables 1-5 refer to series 2 flanges.